

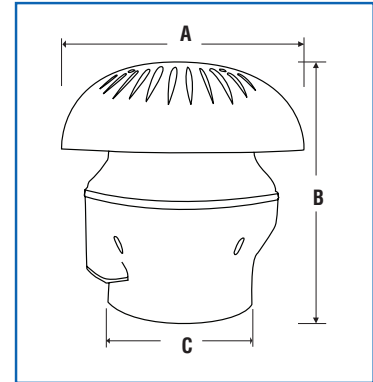


Technical Data

Commercial Thru Roof Fan

DIMENSION INFORMATION

Models	A	B	C
250mm	400	400	248



TECHNICAL SPECIFICATION

Models	FAN2120/ FAN2122	FAN2121/ FAN2123
Supply Voltage	220-240VAC	220-240VAC
Fan	Centrifugal	Centrifugal
Fan Performance	178l/s, 640m ³ /hr	265l/s, 954m ³ /hr
Fan Wattage	75W	135W
Maximum Pressure	300Pa	545Pa
Fan Speed	2600rpm	2650rpm
Sound Level @ 1m	72db(A)	70db(A)
Operating Temp	-25 - +40°	-25 - +60°

Acoustic Performance - FAN2120/ FAN2122

COWL ON	Test Conditions	Noise Rating	125	250	500	1000	2000	4000	8000
Supply	Inlet + CR	56	65.7	67.5	69.0	62.9	60.1	51.9	43.2
	Discharge	55	61.1	62.0	67.8	62.4	61.8	60.7	43.9
Extract	Inlet	54	62.4	62.3	67.1	61.9	60.6	58.1	48.5
	Discharge + CR	54	67.2	68.5	66.1	61.4	60.9	51.2	42.3

Acoustic Performance - FAN2121/ FAN2123

COWL ON	Test Conditions	Noise Rating	125	250	500	1000	2000	4000	8000
Supply	Inlet + CR	61	73.3	76.5	74.7	70.8	65.5	60.2	51.1
	Discharge	60	68.9	71.5	72.4	69.9	67.9	65.5	56.1
Extract	Inlet	58	69.9	72.8	69.5	68.3	65.6	62.7	54.6
	Discharge + CR	60	76.2	78.1	71.7	69.5	66.8	59.0	50.2

Performance - FAN2120/ FAN2122



Performance - FAN2121/ FAN2123

