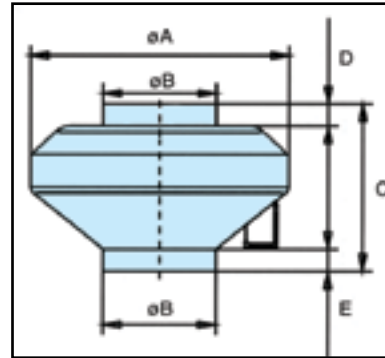




IN-LINE FANS - High Performance Centrifugal Models

DIMENSION INFORMATION

Models	A	B	C	D	E
MAN100	250	100	136	50	70
MAN125	250	125	147	60	60
MAN150	340	150	154	50	75
MAN200	340	200	154	50	75
MAN250	320	249	310	65	65
MAN315	405	315	177	80	80



TECHNICAL SPECIFICATION

Models	MAN100	MAN125	MAN150	MAN200	MAN250	MAN315
Voltage/Freq (50hz)	220~240V	220~240V	220~240V	220~240V	220~240V	220~240V
Fan Performance	49l/s, 176m ³ /hr	61l/s, 220m ³ /hr	115l/s, 415m ³ /hr	208l/s, 750m ³ /hr	280l/s, 1010m ³ /hr	360l/s, 1300m ³ /hr
Fan Wattage	32W	31W	65W	110W	170W	200W
Maximum Pressure	153Pa	143Pa	320Pa	418Pa	500Pa	590Pa
Current (A)	0.14	0.13	0.35	0.45	0.76	0.87
Fan Speed (min ⁻¹)	2500 rpm	2490 rpm	2350 rpm	2520 rpm	2580 rpm	2410 rpm
Sound Level*	38 dB(A)	38 dB(A)	50 dB(A)	56 dB(A)	47 dB(A)	57 dB(A)
Max Operating Temp	60°C	60°C	50°C	60°C	50°C	45°C

* dB(A) - measured 1m free field/3m 20m²Sabine

